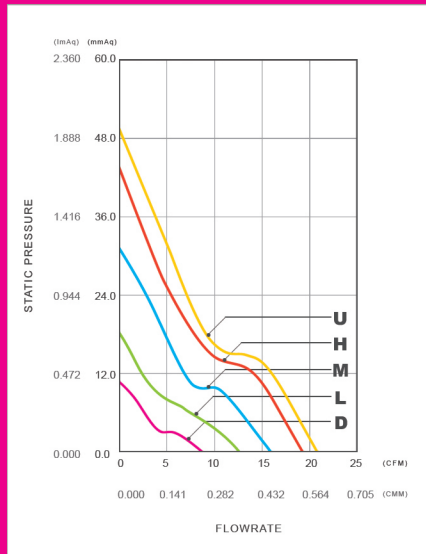


AD4028



Fan Performance Curve

Frame: Plastic (UL: 94V-0)
 Impeller: Plastic (UL: 94V-0)
 Lead wire: UL1061AWG26



Frame size (mm)	40x40x28				
Model No.	AD04012DB285300 (00LAP)	AD04012LB285300 (00LAP)	AD04012MB285300 (00LAP)	AD04012HB285300 (00LAP)	AD04012UB285300 (00LAP)
Bearing System Type	Ball	Ball	Ball	Ball	Ball
Rated Voltage (VDC)	12	12	12	12	12
Current (A)	0.13	0.21	0.32	0.5	0.6
Power (W)	1.56	2.52	3.84	6	7.2
Rated Speed (rpm)	8000	11000	14000	16500	18000
Maximum AirFlow					
(CMM)	0.248	0.358	0.45	0.544	0.587
(CFM)	8.75	12.63	15.89	19.23	20.72
Maximum Pressure					
(InAq)	0.431	0.724	1.24	1.713	1.949
(mmAq)	10.94	18.4	31.5	43.5	49.8
*Noise Level (dB/A)	27.4	36.8	46.6	48.8	50.8
Weight (g)	57	57	57	57	57

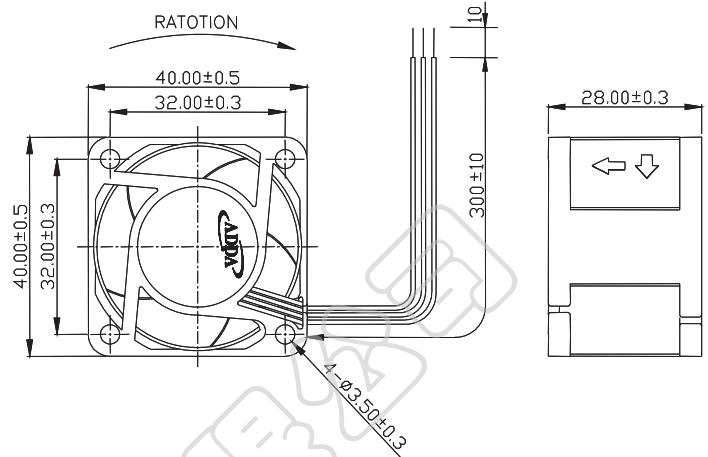




AD4028 SERIES



External Dimensions



Frame: Plastic (UL:94V-0)
 Impeller: Plastic (UL:94V-0)
 Lead wire: UL1061AWG26

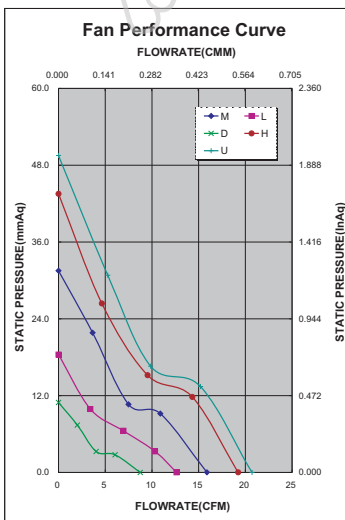
Specifications (Nominal)

*Noise is measured at the distance of one (1) meter from the axis of intake.

Bearing type: ⊙=Ball ⊛=Sleeve ○=1B1S ●=Hypro bearing

Frame size (mm)	Model No.	Bearing System Type	Rated Voltage (VDC)	Current (A)	Power (W)	Rated Speed (rpm)	Maximum AirFlow (CMM)	Maximum AirFlow (CFM)	Maximum Pressure (InAq)	Maximum Pressure (mmAq)	*Noise Level (dB/A)	Weight (g)
40x40x28	AD04012DB285300(00LAP)	⊙	12	0.13	1.56	8000	0.248	8.75	0.431	10.94	27.4	
	AD04012LB285300(00LAP)	⊙	12	0.21	2.52	11000	0.358	12.63	0.724	18.40	36.8	
	AD04012MB285300(00LAP)	⊙	12	0.32	3.84	14000	0.450	15.89	1.240	31.50	46.6	57.0
	AD04012HB285300(00LAP)	⊙	12	0.50	6.00	16500	0.544	19.23	1.713	43.50	48.8	
	AD04012UB285300(00LAP)	⊙	12	0.60	7.20	18000	0.587	20.72	1.949	49.80	50.8	

Specifications subject to change without notice.



*Motor protective circuit and third lead wire functions

0	1	2	3	4	6	7	8	9	A	B
	✓	✓	✓							✓

*Safety approvals

✓	✓	✓	✓	✓