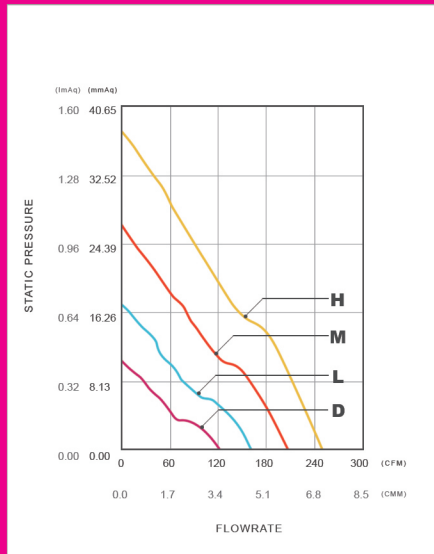


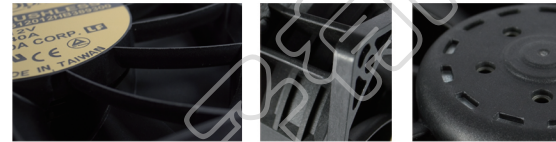
DC FAN

AS12038



Fan Performance Curve

Frame: Plastic (UL: 94V-0)
 Impeller: Plastic (UL: 94V-0)
 Lead wire: ULT430AWG22/24



Parameter	AS12012DB389B00	AS12012LB389B00	AS12012MB389B00	AS12012HB389B00
Frame size (mm)	120x120x38			
Model No.	AS12012DB389B00	AS12012LB389B00	AS12012MB389B00	AS12012HB389B00
Bearing System Type	Ball	Ball	Ball	Ball
Rated Voltage (VDC)	12	12	12	12
Current (A)	0.60	1.30	2.30	3.70
Power (W)	7.20	15.6	27.60	44.40
Rated Speed (rpm)	3000	4000	5000	6000
Maximum AirFlow (CMM)	3.444	4.589	5.868	7.080
(CFM)	121.620	162.050	207.230	250.020
Maximum Pressure (InAq)	0.412	0.683	1.038	1.480
(mmAq)	10.460	17.340	26.360	37.590
*Noise Level (dB/A)	49.1	56.9	62.6	66.6
Weight (g)	375.0	375.0	375.0	375.0

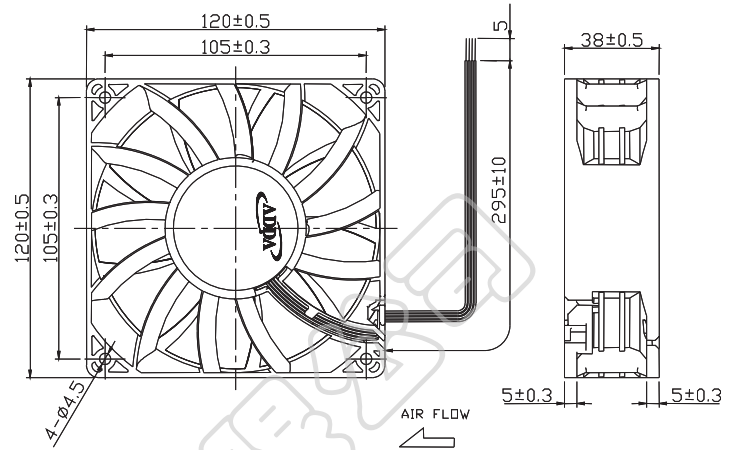




AS12038 SERIES



External Dimensions



Frame: Plastic (UL:94V-0)
 Impeller: Plastic (UL:94V-0)
 Lead wire: UL1430AWG22\24

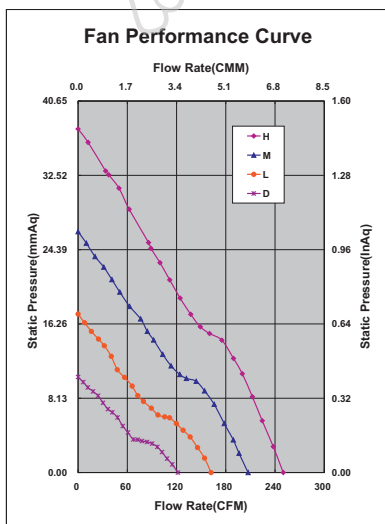
Specifications (Nominal)

*: Noise is measured at the distance of one (1) meter from the axis of intake.

Bearing type: ○=Ball ※=Sleeve ◯=1B1S ●=Hypro bearing

Frame size (mm)	Model No.	Bearing System Type	Rated Voltage (VDC)	Current (A)	Power (W)	Rated Speed (rpm)	Maximum AirFlow (CMM)	Maximum AirFlow (CFM)	Maximum Pressure (InAq)	Maximum Pressure (mmAq)	*Noise Level (dB/A)	Weight (g)
120x120x38	AS12012DB389B00	○	12	0.60	7.20	3000	3.444	121.620	0.412	10.460	49.1	375.0
	AS12012LB389B00	○	12	1.30	15.60	4000	4.589	162.050	0.683	17.340	56.9	
	AS12012MB389B00	○	12	2.30	27.60	5000	5.868	207.230	1.038	26.360	62.6	
	AS12012HB389B00	○	12	3.70	44.40	6000	7.080	250.020	1.480	37.590	68.6	
	AS12024DB389B00	○	24	0.35	8.40	3000	3.444	121.620	0.412	10.460	49.1	
	AS12024LB389B00	○	24	0.65	15.60	4000	4.589	162.050	0.683	17.340	56.9	
	AS12024MB389B00	○	24	1.05	25.20	5000	5.868	207.230	1.038	26.360	62.6	
	AS12024HB389B00	○	24	1.75	42.00	6000	7.080	250.020	1.480	37.590	68.6	
	AS12048DB389B00	○	48	0.20	9.60	3000	3.444	121.620	0.412	10.460	49.1	
	AS12048LB389B00	○	48	0.35	16.80	4000	4.589	162.050	0.683	17.340	56.9	
	AS12048MB389B00	○	48	0.55	26.40	5000	5.868	207.230	1.038	26.360	62.6	
	AS12048HB389B00	○	48	0.85	40.80	6000	7.080	250.020	1.480	37.590	68.6	

Specifications subject to change without notice.



*Motor protective circuit and third lead wire functions

0	1	2	3	4	6	7	8	9	A	B
		✓	✓							✓

*Safety approvals

✓	✓		✓	✓